

# DATA SHEET



SCREENER

# KOMPATTO 104



1. 3,015x1,240 mm  
8x4 inch
2. 3,015x1,240 mm  
8x4 inch



- |          |                       |
|----------|-----------------------|
| Stage V  | 35 kW<br>45 Hp Diesel |
| Tier 4F  | 35 kW<br>45 Hp Diesel |
| Stage 3A | 36 kW<br>47 Hp Diesel |



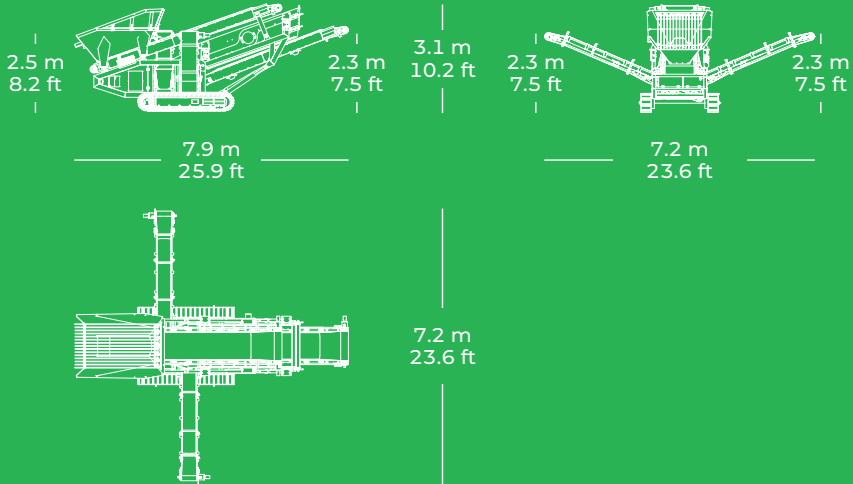
Up to 200 tph  
220 US tph



8,000 kg  
17,636 lb

**Komplet.it**

## WORKING



## FEATURES AND BENEFITS

- High capacity up to 200 tph / 220 US tph (depending on feed size, mesh & material type).
- Quick set-up.
- Hydraulically folding conveyors.
- Fit into a 40ft container.
- Smart design minimised weight 8 ton.
- Variable speed feeder.
- Removable grid for screening before crusher.
- Designed for a wide range of materials and aggregates.



Komplet S.p.a.

Via Antonelli, 49 60012 Trecastelli (AN) Italy

✉ [info@komplet.it](mailto:info@komplet.it)

☎ +39 071 6609823

VAT IT02035890421

